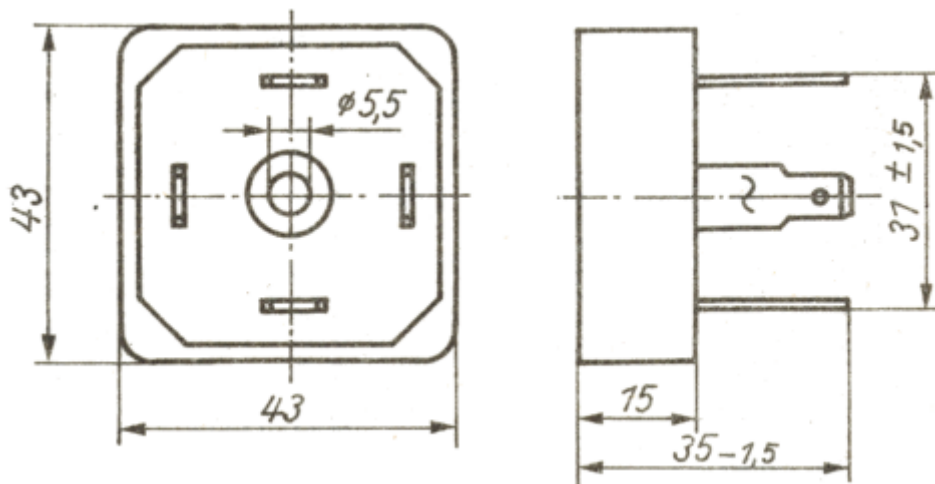


## RFT

**B20/15-20Si, B40/30-20Si, B80/60-20Si, B125/110-20Si, B250/220-20Si**

Silizium- Einphasen- Gleichrichterbrücke 20A

Typ	$U_{RRM}$ V	$U_{RSM}$ V	$U_{RWM}$ V	$I_{F(AV)}$ A	$I_{FRM}$ A	$t_{FSM}$ A	$R_{thjc}$ KW
B20/15-20Si	50	100	35	20	30	250	2,1
B40/30-20Si	100	200	70				
B80/60-20Si	200	300	140				
B125/110-20Si	300	400	210				
B250/220-20Si	600	700	420				



Quelle: Aktive elektronische Bauelemente – 1985

*Datasheet Rev. 1.3 – 04/19 – data without warranty / liability*